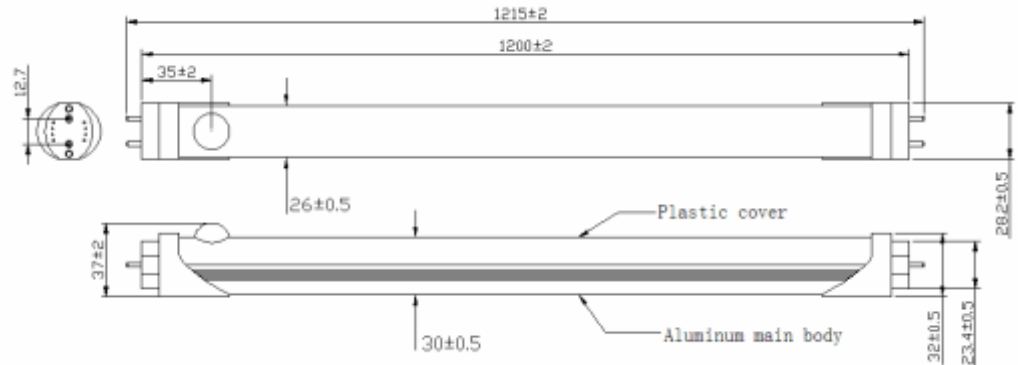
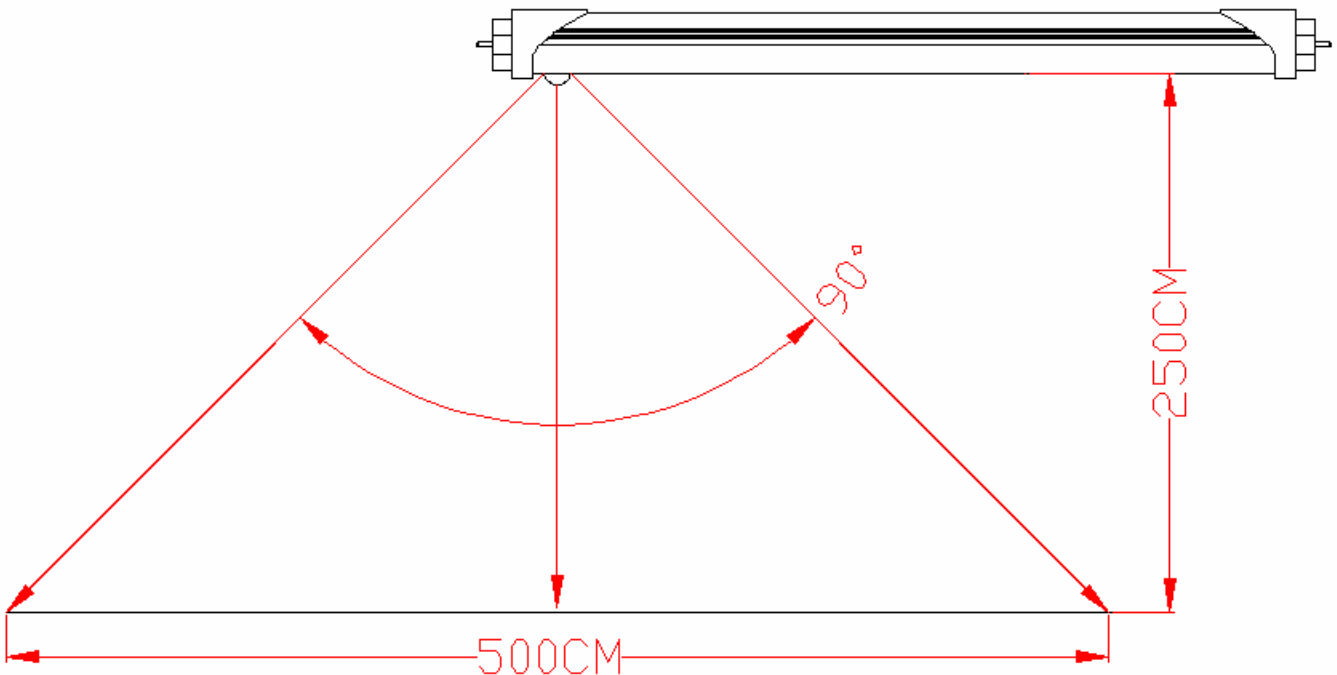


TU6018BGS 4 Ft Infrared Sensor Tube Lighting



Function Description

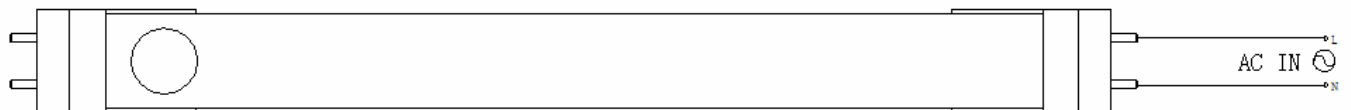
1. Turn on the light for 60 seconds after entering the normal induction status (In 60 seconds sensor insensitive or over sensitive is a normal phenomenon).
2. When no one went into the sensing area, the lamp brightness is only 33% of full brightness.
3. When someone walks into the sensing area, the lamp brightness to full brightness.
4. When the people leave the sensing area, the lamp after 30 seconds went back to 33% brightness.
5. Sensing range as below illustration.



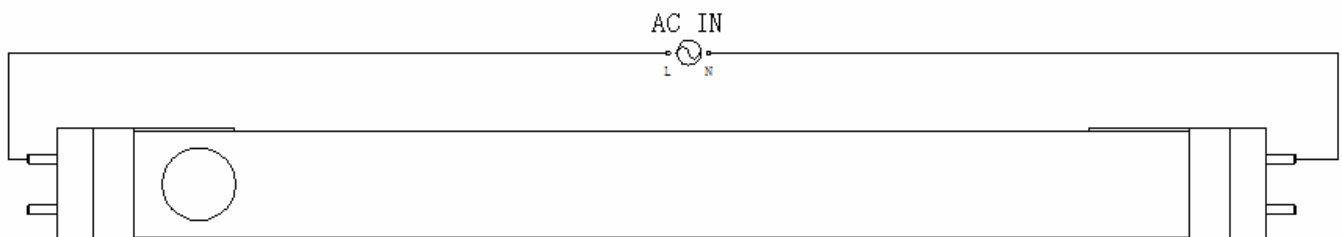
Specifications :

Model	TU6018BGS	
Input	AC 100~240V, 50~60Hz	
Power Consumption Full/33%	18W/6W	
Power Factor	>0.9	
PC Cover Type	Haze	
Base	G13	
C C T	6000K±500K	3000K±500K
C R I	>70	
Luminous Flux Full/33%	1730 Lm/580 Lm	1570 Lm/530 Lm
Illuminance@1M	440 Lux	400 Lux
Beam Angle	120°	
Operating Temperature	-20~40°C	
Sensor Spec.	IR Sensor Induction Angle:90°;Induction Distance:2.5M	
Materials	Aluminum Body,Plastic Cover	
Weight	395g	

Wiring diagram



or



Both side of power input

Remarks:

1. Remove startor.
2. Choke ballast(Inductor) can directly to use.
3. Electrical ballast need modify circuit then use.

Dimensions of Carton

Carton: 20 PCS UNIT BOXES

L : 1240mm W : 187mm H : 161mm

